

LED Eco Downlight Generation 2

DATA SHEET



Product information

GE Lighting introduces the next generation of LED Eco Downlights with an even higher lumen per watt.

There is a selection of sizes and colour temperature options all finished to a high standard and are ideal for use in high-end applications such as retail, hospitality or offices.

Features and benefits

- Colour rendering index up to CRI 80+
- Excellent uniform diffuse reflection
- 3 colour temperatures: 3000, 4000 and 6500K
- No UV or infrared rays
- Up to 86lm/W efficiency
- Over 50% energy saving compared to traditional lighting
- Up to 40,000 hours lifetime (L70)
- Reduced replacement and maintenance costs
- 3 years warranty
- Nominal Voltage: 120-277V
- Operating frequency: 50-60Hz

Fixture structure

- Integrated aluminum reflector and die cast aluminum for good heat dissipation
- Attractive Polycarbonate lamp ring
- 0.5 to 2 mm² hard wire for easy connection
- Wire spring leaf for secure installation

Application areas



Retail



Hospitality



Office

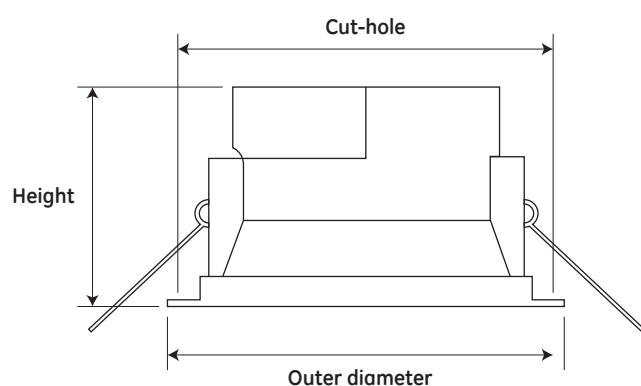


GE imagination at work

Specification summary

Product Code	Product Description	Wattage [W]	Nominal Size ("/mm)	Colour [K]	Lumen [lm]	Direct Shipment
93011615	DM4L17SP30	7	4/100	3000	540	-
93011616	DM4L17SP40	7	4/100	4000	600	-
93011617	DM4L17SP65	7	4/100	6500	600	-
93011618	DM6L110SP30	10	6/150	3000	720	-
93011620	DM6L110SP40	10	6/150	4000	800	-
93011761	DM6L110SP65	10	6/150	6500	800	-
93011763	DM6L212SP30	12	6/150	3000	900	-
93011762	DM6L212SP40	12	6/150	4000	1000	-
93011619	DM6L212SP65	12	6/150	6500	1000	-
93011764	DM8L118SP30	18	8/200	3000	1350	-
93011767	DM8L118SP40	18	8/200	4000	1500	-
93011766	DM8L118SP65	18	8/200	6500	1500	-
93011765	DM8L224SP30	24	8/200	3000	1800	-
93011768	DM8L224SP40	24	8/200	4000	2000	-
93011772	DM8L224SP65	24	8/200	6500	2000	-
93011770	DM8L330SP30	30	8/200	3000	2250	-
93011771	DM8L330SP40	30	8/200	4000	2500	-
93011769	DM8L330SP65	30	8/200	6500	2500	-
93012652	DM4L17SP40	7	4/100	4000	600	Yes
93012435	DM6L212SP40	12	6/150	4000	1000	Yes
93024377	DM6L110SP40	10	6/150	4000	800	Yes
93025625	DM6L110SP65	10	6/150	6500	800	Yes
93012653	DM8L118SP40	18	8/200	4000	1500	Yes
93012916	DM8L118SP65	18	8/200	6500	1500	Yes
93012917	DM8L224SP40	24	8/200	4000	2000	Yes
93012411	DM8L224SP65	24	8/200	6500	2000	Yes
93012918	DM8L330SP40	30	8/200	4000	2500	Yes
93012410	DM8L330SP65	30	8/200	6500	2500	Yes

Dimensions



Size	Outer Diameter [mm]	Height [mm]	Cut-hole [mm]	Weight [g]
4"/100mm	114	70	102±2	135
6"/150mm	173	89	148±4	275
8"/200mm	224	103	199±4	505

Ordering information

Direct Shipment	Product ID	Size - Wattage	Wattage	Trim	Reflector Surface Treatment	CCT
---	D= Downlight M= Modular	4L1= 4 inch, 7W 6L1= 6 inch, 10W 6L2= 6 inch, 12W 8L1= 8 inch, 18W 8L2= 8 inch, 24W 8L3= 8 inch, 30W	7= 7W 10= 10W 12= 12W 18= 18W 24= 24W 30= 30W	S= Standard white painting	P= White painting	30= 3000K 40= 4000K 65= 6500K

Example: ___ * DM 6L1 10 S P 30

*Please note: for Direct Shipment products, 3 blank spaces required

www.gelighting.com

and General Electric are both registered trademarks of the General Electric Company

GE Lighting is constantly developing and improving its products. For this reason, all product descriptions in this brochure are intended as a general guide, and we may change specifications time to time in the interest of product development, without prior notification or public announcement. All descriptions in this publication present only general particulars of the goods to which they refer and shall not form part of any contract. Data in this guide has been obtained in controlled experimental conditions. However, GE Lighting cannot accept any liability arising from the reliance on such data to the extent permitted by law.

LED ECO Downlight Gen2 Data Sheet - September 2015